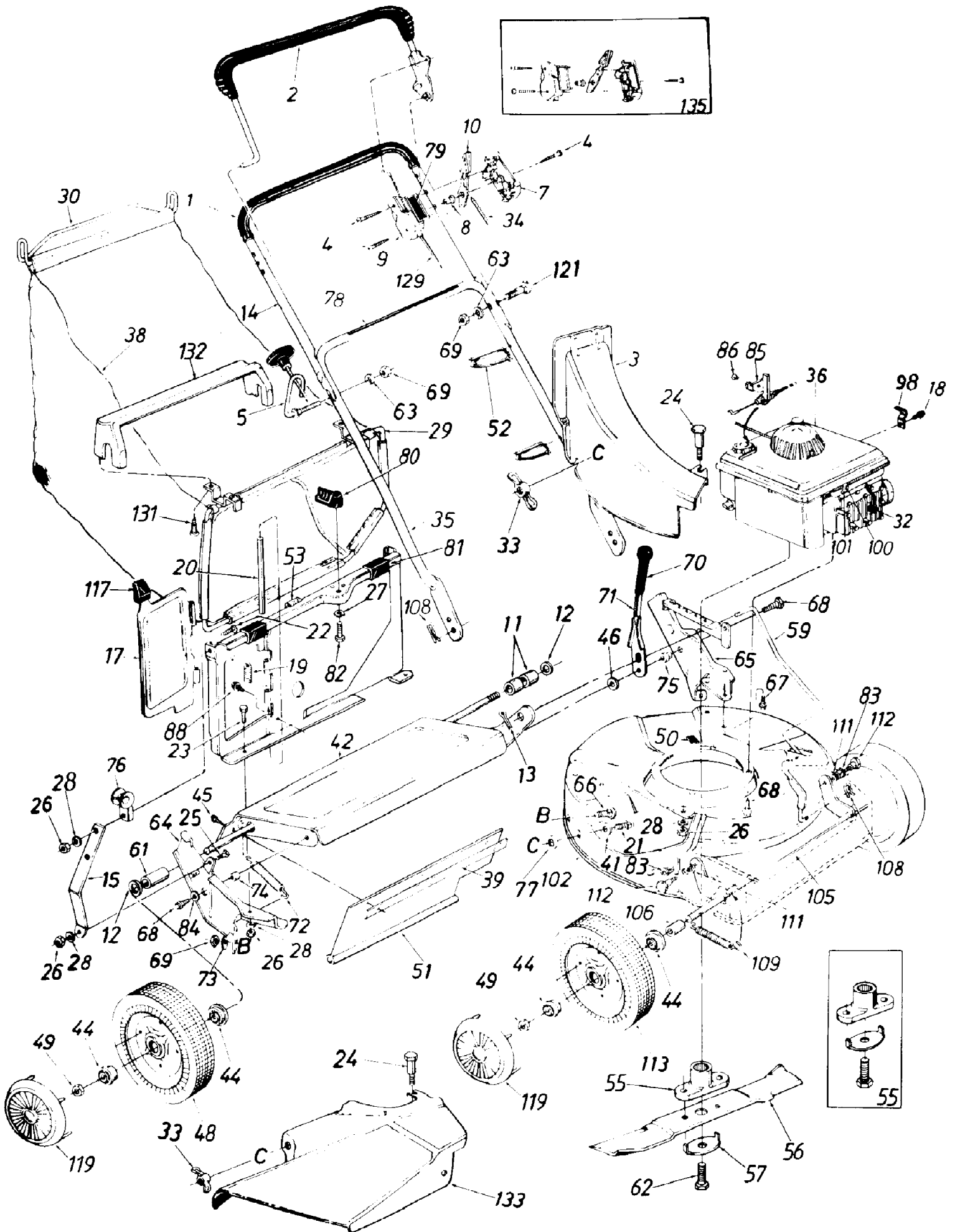


118-109R190 Lawn Boss 21 (1988)
21" Rotary Mower



118-109R190 Lawn Boss 21 (1988)
21" Rotary Mower

Page 2 of 3

Ref #	Part Number	Qty	S/P/F	Description
1	720-0226	1	S	Foam Grip
2	731-0609	1		Control Handle Ass'y.-L.H.
3	731-0733	1	F	Top Discharge Chute Ass'y
4	710-0796	1	/P	Truss Mach. Scr. #12 x 1.50" Lg.
5	710-0842	1		Rope Guide Bolt
7	731-0817	1	S	Control Panel Half
8	731-0524	1		Control Disc Pin
9	731-0816	1		Clutch Panel Half
10	731-0528	1	S	Throttle Control Lever
11	711-0500	1	S	Spacer 526" I.D. x .690" O.D. x .640" Lg.
12	736-0108	1	S	FI-Wash. .510" I.D. x .75"
13	714-0507	1	S	ICotter Pin 3/32" Dia. x .75"
14	749-0436	1	S	Upper Handle-Chrome
15	16129	1	S/F	Panel Support Brkt.
	17196	1	F	Top Catcher Panel Ass'y.
17	17095	1	S/F	Top Discharge Door
18	710-0429	1	S	Hex B-Tap Scr. #10 x .38"
19	732-0483	1	S/F	Torsion Spring
20	747-0514	1	F	Pivot Pin
21	710-0134	1	/P	Carriage Bolt 1/4-20 x .62"
22	710-0225	1	F	Truss Mach. Scr. 1/4-20 x 75 Lg
23	710-0289	1	S/F	Hex Bolt 1/4-20 x .50" Lg.
24	738-0704	1	S	Shoulder Bolt .312 Dia. x .18 Lg. Special
25	710-0258	1	S	Hex Bolt 1/4-20 x .62" Lg.
26	712-0287	1	S	Hex Nut 1/4-20 Thd.
27	736-0271	1	S/F	Spring Wash. .32" I.D.
28	736-0329	1	S	L-Wash. 1/4" I.D.
29	16702	1		Front Grass Catcher Framet
30	747-0495	1		Upper Bag Handlet
32	735-0639	1	/P	Spark Plug Insulator
33	712-0388	1	S	Wing Nut w/Washer
34	746-0672	1	S	Throttle Control Wire-58"
35	749-0505	1	S	Lower Handle-Chrome
36		1		Engine
38	764-0212	1	F	21" Top Discharge Grass Bag-Black
	764-0216	1	S/F	21" Top Discharge Grass Bag-Grey
39	14835	1		Retaining Strip
41	736-0204	1	/P	FI-Wash. .344" I.D. x .62"
42	16131	1		Rear Axle Ass'y.
44	741-0180	1	S	Flange Ball Bearing 1/2" I.D.
45	710-0776	1	S	Hex AB-Tap Scr. 1/4 x .62"
46	736-0258	1	/P	FI-Wash. .38" I.D. x 1.0"
48	734-1264	1	/P	Wheel Ass'y. (7 x 1.75)
	734-1260	1		Wheel Ass'y. (8 x 1.75)
	734-1511	1	S	Wheel Ass'y. (7 x 2)
	734-1513	1	S	Wheel Ass'y. (8 x 2)
49	712-0346	1	S	Hex L-Nut 1/2-20 Thd.
50	731-0564	1		Plug
51	731-0671	1		Rear Flap 3.75" x 17.30" Lg.
52	726-0240	1	S	Cable Tie
53	722-0134	1	F	Foam Strip 1" Lg.
55	753-0462	1		Blade Adapter Kit
56	742-0306			

118-109R190 Lawn Boss 21 (1988)
21" Rotary Mower

Page 3 of 3

Ref #	Part Number	Qty	S/P/F	Description
57	736-0415	1	S	Blade Bell-Wash. .44" I.D. x 2.38"
59	747-0510	1		Height Adj. Rod. 19.42" Lg.
61	711-0313	1	S	Sleeve.526" I.D 0 x.69"
62	710-0459	1	S	Hex Bolt 3/8-24 x 1.5" Lg.
63	736-0119	1	S	L-Wash. 5/16" I.D.
64	16136	1	S	R.H. Handle Wheel Brkt. Ass'y .
65	16137	1	S	L.H. Handle Wheel Brkt. Ass'y.
66	710-0260	1	S	Carriage Bolt 5/16-18 x .62"
67	710-0603	1	/P	Hex Wash. Hd. B-Tap Scr. 5/16-18
68	710-0654	1	S	Hex Wash. Hd. TT-Tap Scr. 3/8-16
69	712-0267	1	S	Hex Nut 5/16-18 Thd.'
70	720-0223	1		Grip
71	732-0473	1	S	Height Adj. Lever
72	732-0481	1	S	Extension Spring 3.8" Lg.
73	736-0242	1	/P	Bell-Wash. 5/16" I.D.
74	750-0526	1		Spacer .385" I.D. x .502" O.D. x .270" Lg.
75	750-0624	1		Shld. Spacer .500" Dia.
76	719-0279	1	/P/F	Rope Guide
77	726-0233	1	/P	Bolt Retainer 1/4 x 50" O.D.
78	777-5816	1		Instruction Label
79	777-5812	1		Control Label
80	720-0224	1	S/F	Grass Catcher Locking Knob
81	731-0883	1		Panel Clip
82	710-0875	1		Hex Tap Scr. 1/4-20 x .75" Lg.
83	741-0491	1		Flanged Nyliner Brg.
84	736-0179	1	S	FI-Wash. .531" I.D. x 1.25"
85	14924	1		Cable Bracket
86	728-0171	1		Pop Rivet .156" Dia.
88	710-0429	1	S/F	Hex B-Tap Scr. #10 x .38"
98	12894	1		Cable Clamp
100	710-0436	1	S	Hex B-Tap Scr. #10 x .62"
101	751-0463	1		Cable Clamp
102	16125	1		21" Deck Ass'y.
105	10662	1		Front Axle Ass'y.
106	711-0313	1	S	Sleeve .526" I.D. x .690" O.D. x .880" Lg.
108	714-0104	1	S	Intern. Cotter Pin 5/16" Dia.
109	732-0482	1		Extension Spring 3.2" Lg.
111	736-0221	1	/P	Intern. L-Wash. 3/8 I.D.
112	738-0705	1	S	Shld. Bolt .575" Dia. x .42"
113	734-1264	1	/P	Wheel Ass'y. (7 x 1.75)
	734-1260	1		Wheel Ass'y. (8 x 1.75)
	734-1511	1	S	Wheel Ass'y. (7 x 2)
	734-1513	1	S	Wheel Ass'y. (8 x 2)
117	720-0190	1	S/F	Door Grip
119	731-0124	1		Hub Cap (7 x 1.75, 8 x 1.75)
	731-0981	1	S	Hub Cap (7 x 2, 8 x 2)
121	710-0671	1	S	CuNed Carr. Bolt 5/16-18 x 1.38" Lg.
129	746-0480	1	S	Control Cable-46" Lg.
131	710-1025	1	/P	Hex AB-Tap Scr. #12 x 1.25"
132	731-0801	1	/P/F	Bag Handle
133	731-0886	1		Side Chute Deflector Ass'y.
135	753-0430	1		Kit-Control Housing Comp.